

## Location & Dates

City Bengaluru  
Date 17-02-2020 (08.45 to 16.30)  
Venue St. Marks  
4, 1, St Marks Rd, Sampangi Rama Nagar, Shanthala Nagar, Ashok Nagar,  
Bengaluru,  
Karnataka  
560001  
Ph - 91-080 4001 9000  
<https://www.stmarkshotel.com/>

City Hyderabad  
Date 19-02-2020 (08.45 to 16.30)  
Venue The Park  
22, Raj Bhavan Rd, Somajiguda, Hyderabad, Telangana  
500082  
Ph - 91- 040 23456789  
<https://www.theparkhotels.com/hyderabad/>

City Chennai  
Date 21-02-2020 (08.45 to 16.30)

Venue The Westin Chennai  
Velachery  
154, Velachery Main Rd, TN Police Housing Colony, Velachery, Chennai, Tamil Nadu  
600042  
Ph. 91-  
044-22553399

<https://www.marriott.com/search/findHotels.mi> [3]

City Delhi  
Date 24-02-2020 (08.45 to  
16.30)

Venue Crowne Plaza New Delhi  
Okhla  
Plot No 1, Community Centre, Okhla Phase I, New Delhi, Delhi  
110020  
Ph.091- 011 4646 2000

<https://crowneplazaokhla-newdelhi.hotvel.com> [4]

City Pune  
Date 26-02-2020 (08.45 to  
16.30)

Venue Sheraton Grand Pune Bund Garden  
Hotel  
Raja Bahadur Mill Rd, Sangamvadi, Pune, Maharashtra  
411001  
Ph. 091- 020 6641 1111

<https://sheratongrand-pune.hotvel.com>

[5]

## About Workshop - Level1

---

- **Nuvoton Technology** intends to introduce its world class CortexM0 MCU offerings from their rich MCU portfolio.
- **The program** is intended to help design Engineers work on Nuvoton' s CortexM0 MCUs which is easy to adapt for any Engineer working on any MCU

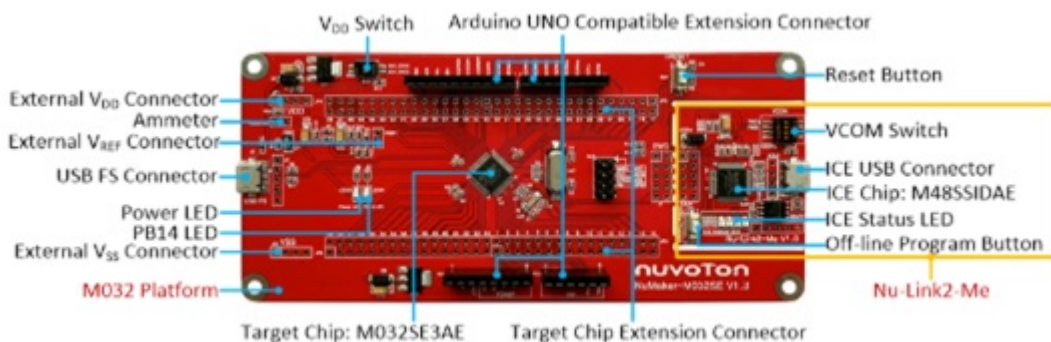
- **The focus** would be to make it simple to climb first step to 32 bit Computing for performance delivery
- **Hands on training** would make users confidently play around rich features of the CortexM0 series & select latest offering for future projects developments
- **Participants would get** to interact with expert of the subject & Nuvoton would be happy to share expertise
- **Participants would get 1 Free EVB at the end of Workshop - NK-M032SE**

## About Workshop Course

- One Day workshop & Hands on training on CortexM0 to build MCU solutions based on KEIL MDK526 or IAR EWARM platforms with C language
- **Refer Level-1 Agenda for details** [6]

## Course Material

- CortexM0 Evaluation board - **NK-M032SE**



## Course Features

- Free Course with complimentary Tea/Snacks & Lunch to Invitees
- One Day work Shop with Hands on Nuvoton Tools

- Free Development board to participants
- Offers abundant sample codes which supports KEIL MDK529 or IAR EWARM platform

## Who should attend Workshop

---

- Any & every Engineer working in Embedded domain be it 8051/CortexM0/M4 & any other 8/16/32 bit architecture
- System Architects for Embedded Systems
- HW & SW Embedded project engineers.

## Pre-requisites

---

- R&D/ Design Background on MCU - 8051/CortexM0/CortexM4 or any 8/16/32 Bit MCU architecture
- C Language working knowledge/proficiency
- working knowledge on IDE like Keil uVision/IAR etc.
- Attendees to carry laptop with Keil MDK 526 & other SW as listed below installed

## URL for free download

### 1. Keil MDK Nuvoton edition M0/M23 :

<https://www.nuvoton.com/tool-and-software/software-development-tool/driver> [7]/

IDE	Validated MCUs	License	Debugger	Windows	Linux
NuEclipse (GCC)	NuMicro M0/M4/M23	Free	Nu-Link	<a href="#">V</a>	<a href="#">V</a>
<a href="#">KEIL MDK Nuvoton edition M0/M23</a>	NuMicro M0/M23	Free	Nu-Link / J-Link / U-Link	V	
<a href="#">KEIL MDK Nuvoton edition M4</a>	NuMicro M4	<a href="#">Special offer</a>	Nu-Link / J-Link / U-Link	V	
<a href="#">IAR EWARM</a>	NuMicro M0/M4/M23	<a href="#">IAR</a>	Nu-Link	V	
<a href="#">KEIL C51</a>	NuMicro 8-bit	<a href="#">Keil</a>	4T: Nu-Tiny-51 1T: Nu-Link	V	
<a href="#">IAR EW8051</a>	NuMicro 8-bit 1T MCUs	<a href="#">IAR</a>	Nu-Link	V	

## 2. <http://www2.keil.com/nuvoton/M0-M23> [8]

[Download MDK Core](#)

### Product Serial Number (PSN)

To **activate** one of the editions, you need a valid product serial number (PSN).

To activate the **free Keil MDK Nuvoton Edition – Cortex-M0/M23**, use the following PSN:

**RUUCW-Q9G7H-ZK65W**

To activate the **Keil MDK Nuvoton Edition – Cortex-M0/M4/M23**, visit Arm's online store and buy the extended **Nuvoton edition**. You will receive a PSN that you can use in the [activation step](#).

## 3. <https://www.nuvoton.com/tool-and-software/software-development-tool/driver/> [9]

### Nu-Link Driver

File name	Description	Version	Date
<a href="#">Nu-Link_Keil_Driver_V3.01.6951</a> <a href="#">Revision History</a>	This driver is to support Nu-Link to work under Keil RVMDK Development Environment for all NuMicro Family Devices.	V3.01.6951	2019-10-3
<a href="#">Nu-Link_IAR_Driver_V3.01.6951</a> <a href="#">Revision History</a>	This driver is to support Nu-Link to work under IAR EWARM Development Environment for all NuMicro Family Devices.	V3.01.6951	2019-10-3

## 4. <https://www.nuvoton.com/tool-and-software/software-development-tool/bsp/> [10]

<a href="#">M031 Series BSP</a> <a href="#">github</a> <a href="#">gitlab</a> <a href="#">qitee</a>		V3.00.000	2018-8-29
--	--	-----------	-----------

M031 series software package based on CMSIS version 4.5.0. It supports both IAR, Keil and Eclipse development environment with drivers and samples codes. Examples source code for NuMaker-M031/M032. For detailed, please download it and unzip it.

## 5. <https://www.nuvoton.com/tool-and-software/software-development-tool/nutool/> [11]

File name	Description	Version	Date
<a href="#">NuTool-PinConfig_V1.17.0030</a> <a href="#">Revision History</a>	PinConfigure is used to configure GPIO multi-functions of Nuvoton MCU families.	V1.17.0030	2019-12-23
<a href="#">NuTool-PinView_V3.01.6951</a> <a href="#">Revision History</a>	NuTool-PinView is a monitoring and visualization tool that can immediately show the current status of I/O pins, and inform users of certain common pin configuration errors.	V3.01.6951	2019-10-3
<a href="#">NuTool-ClockConfig_V1.04.0000</a> <a href="#">Revision History</a>	ClockConfigure is used to configure clock settings of Nuvoton MCU families.	V1.04.0000	2019-11-4
<a href="#">NuConsole_V2.04.6725</a> <a href="#">Revision History</a>	Nu-Console provides a non-invasive message-logging mechanism via the SWD.	V2.04.6725	2018-4-9

## 6. <https://www.nuvoton.com/tool-and-software/software-development-tool/programmer/> [12]

Programmer Software Tools Package

File name	Description	Version	Date
<a href="#">ICP Programming Tool V3.00.6909.zip</a>	NuMicro ICP tool & user manual	V3.00.6909	2019-5-7
<a href="#">ISP Programming Tool V3.05.zip</a>	NuMicro ISP programming tool & user manual	V3.05	2019-10-20
<a href="#">NuGang Programmer V7.02.zip</a>	NuGang programmer software & user manual	V7.02	2016-11-22
<a href="#">Nu-Link Command Tool V3.00.6909</a>	Nu-Link Command Tool is a console-based tool that supports ICP Programmer functions. Users can use it to erase, program, or dump data on any NuMicro® Family devices.	V3.00.6909	2019-5-7

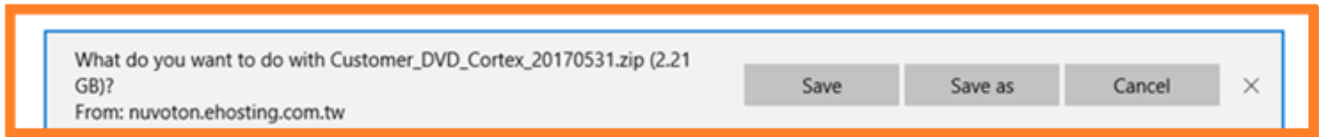
7. [https://www.nuvoton.com/export/resource-files/UM\\_NuMaker-M032SE\\_EN\\_Rev1.00.pdf](https://www.nuvoton.com/export/resource-files/UM_NuMaker-M032SE_EN_Rev1.00.pdf) [13]



8. <https://www.nuvoton.com/products/microcontrollers/arm-cortex-m0-mcus/m031-series/?group=Document&tab=2> [14]

	Overview	<b>Resources</b>	Applications	Where to buy
<input type="checkbox"/>	Application N	<a href="#">AN 0035 Single-wire UART ISP TC Rev1.00</a>		2020/01/10
<input type="checkbox"/>	Application N	<a href="#">AN 0033 ADC Continuously Sampling with PDMA TC Rev1.00</a>		2020/01/10
<input type="checkbox"/>	Application N	<a href="#">AN 0034 M031 SoftwareRTC TC Rev1.00</a>		2020/01/10
<input type="checkbox"/>	Application N	<a href="#">AN8002 Program ISP Code in LDROM</a>	1.00	2020/01/14
<input type="checkbox"/>	Application N	<a href="#">The MicroPython1 project aims to put an implementation of Python 3.x on the microcontrollers and small...</a>	1.30	2020/01/14
<input type="checkbox"/>	Data Sheet	<a href="#">Data Sheet for M031 Series-Arm Cortex-M0 core, 48/72 MHz, up to 512 KB Flash / 96 KB SRAM, 1.8V ~ ...</a>	2	2020/01/15
<input type="checkbox"/>	Data Sheet	<a href="#">M031 系列?行速度最高? 48 MHz · 工作??1.8V~3.6V · I/O 5V 齊限 ·</a>		2020/01/10
<input type="checkbox"/>	Product Brief	<a href="#">M031/M032 Series-Arm Cortex-M0 core, 48/72 MHz, 512 KB Flash, 96 KB SRAM, 1.8V ~ 3.6V, fast 2 MS...</a>	1.01	2020/01/15
<input type="checkbox"/>	Technical Ref	<a href="#">M031 Series-Arm Cortex-M0 core, 48/72 MHz, 512 KB Flash, 96 KB SRAM, 1.8V ~ 3.6V, fast 2 MSPS con...</a>		2020/01/10
<input type="checkbox"/>	Technical Ref	<a href="#">TRM for M031/M032 Series-Arm Cortex-M0 core, 48/ 72 MHz, up to 512 KB Flash / 96 KB SRAM, 1.8V ~ ...</a>	2.00	2020/01/15
<input type="checkbox"/>	Schematic, P	<a href="#">iPod Docking Solution Gerber &amp; Schematic PCB File</a>	1.00	2020/01/14
<input type="checkbox"/>	Schematic, P	<a href="#">NuMaker-M031TC Gerber &amp; Schematic PCB File</a>	1.10	2020/01/14
<input type="checkbox"/>	Schematic, P	<a href="#">NuMaker-M031SD Gerber &amp; Schematic PCB File</a>	1.20	2020/01/14
<input type="checkbox"/>	Schematic, P	<a href="#">NuMaker-M031TB Gerber &amp; Schematic PCB File</a>	1.10	2020/01/14
<input type="checkbox"/>	Schematic, P	<a href="#">iPod Docking Solution Gerber</a>	1.00	2020/01/14
<input type="checkbox"/>	Schematic, P	<a href="#">NuTiny-SDK-M031TC Gerber &amp; Schematic PCB File</a>	1.00	2020/01/14
<input type="checkbox"/>	Schematic, P	<a href="#">NuTiny-SDK-130 Schematic</a>	1.00	2020/01/14
<input type="checkbox"/>	Schematic, P	<a href="#">NuTiny-SDK-140 Schematic</a>	1.00	2020/01/14
<input type="checkbox"/>	User Manual	<a href="#">RH NuTool-ClockConfigure EN v1.04.0000</a>	1.04.0000	2020/01/14

9. [www.nuvoton.com/NuMicroDVD](http://www.nuvoton.com/NuMicroDVD) [15]



## Registration Link

---

- You can register online by clicking here [16]

---

**Source URL (modified on 01/02/2020 - 11:08am):** <https://www.mypadnow.com/m032se/level1-program>

### Links

[1] <https://www.stmarkshotel.com/>

[2] <https://www.theparkhotels.com/hyderabad/>

[3] <https://www.marriott.com/search/findHotels.mi>

[4] <https://crowneplazaokhla-newdelhi.hotvel.com/>

[5] <https://sheratongrand-pune.hotvel.com/>

[6] <https://www.mypadnow.com/m032se/agenda>

[7] <http://https://www.nuvoton.com/tool-and-software/software-development-tool/driver>

[8] <http://www2.keil.com/nuvoton/M0-M2>

[9] <https://www.nuvoton.com/tool-and-software/software-development-tool/driver/>

[10] <https://www.nuvoton.com/tool-and-software/software-development-tool/bsp/>

[11] <https://www.nuvoton.com/tool-and-software/software-development-tool/nutool>

[12] <http://https://www.nuvoton.com/tool-and-software/software-development-tool/programmer/>

[13] [http://https://www.nuvoton.com/export/resource-files/UM\\_NuMaker-M032SE\\_EN\\_Rev1.00.pdf](http://https://www.nuvoton.com/export/resource-files/UM_NuMaker-M032SE_EN_Rev1.00.pdf)

[14]

<https://www.nuvoton.com/products/microcontrollers/arm-cortex-m0-mcus/m031-series/?group=Document&tab=2>

[15] <http://www.nuvoton.com/NuMicroDVD>

[16] <https://www.mypadnow.com/m032se/nuvoton-cortexm0-workshop-and-handson-training-registration>